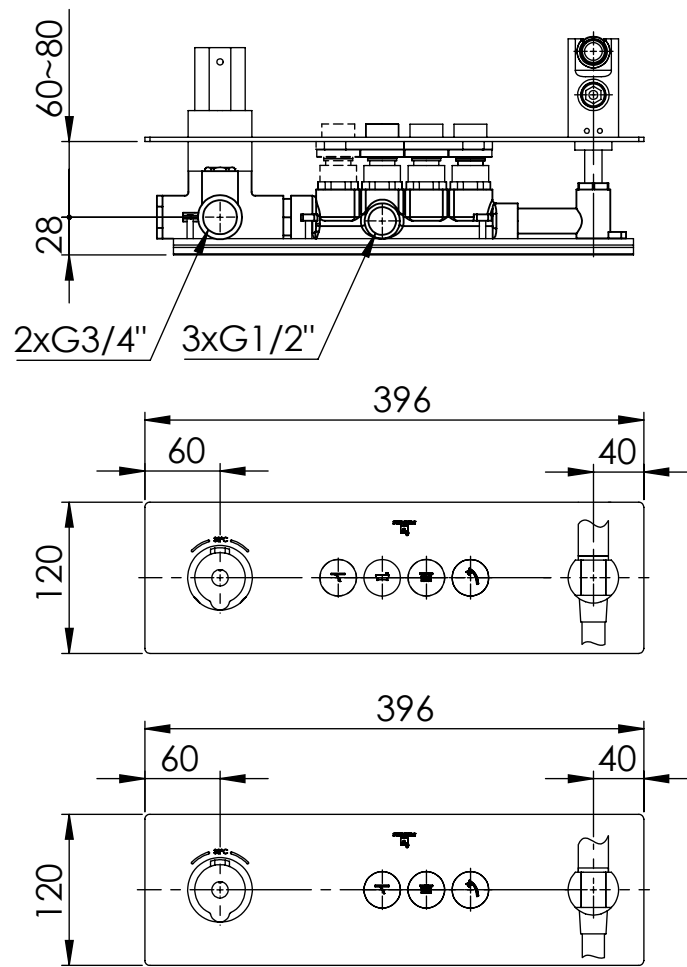


# PUSH TRONIC

**i** 390 4232  
390 4242

## INSTRUCTION MANUAL

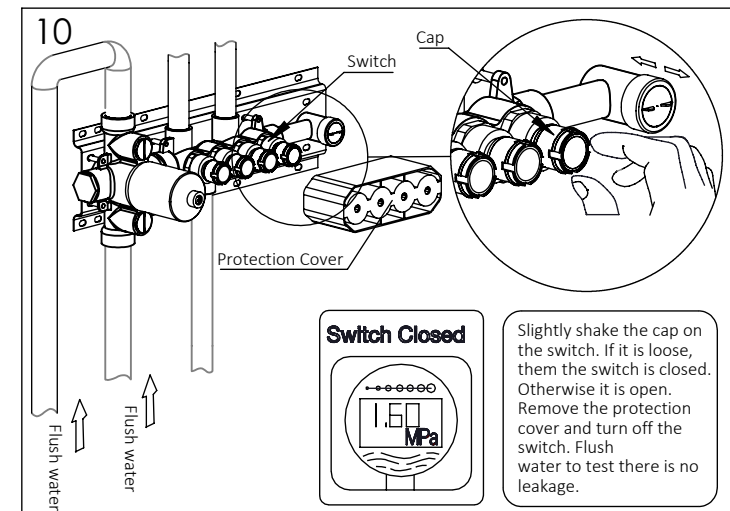
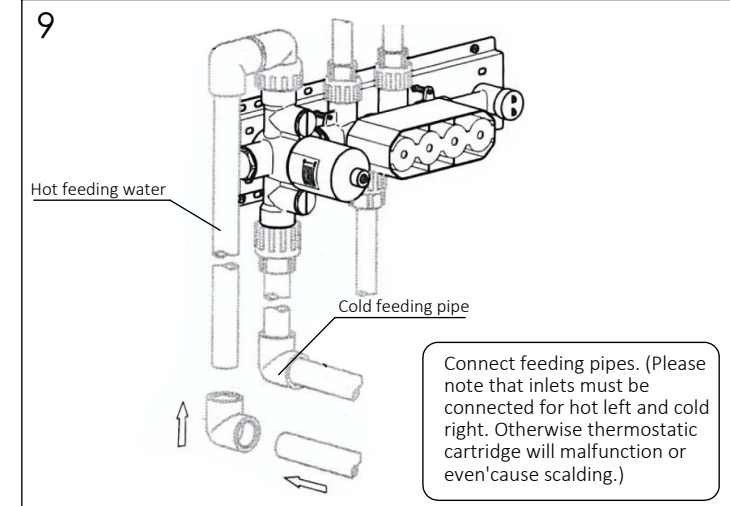
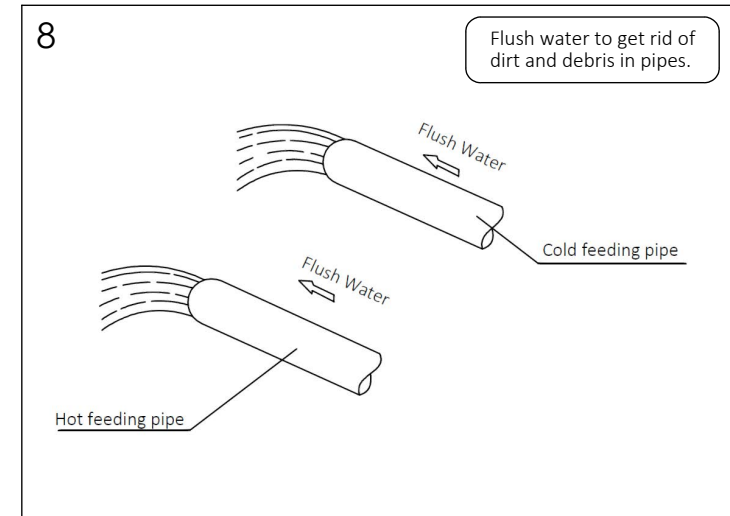
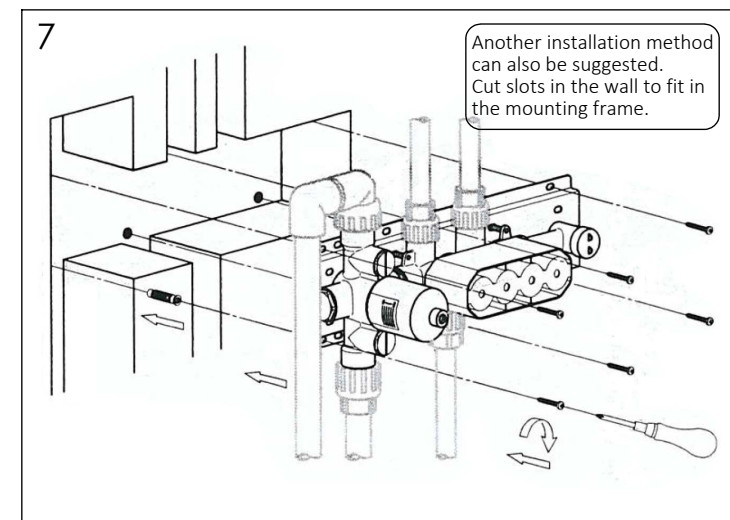
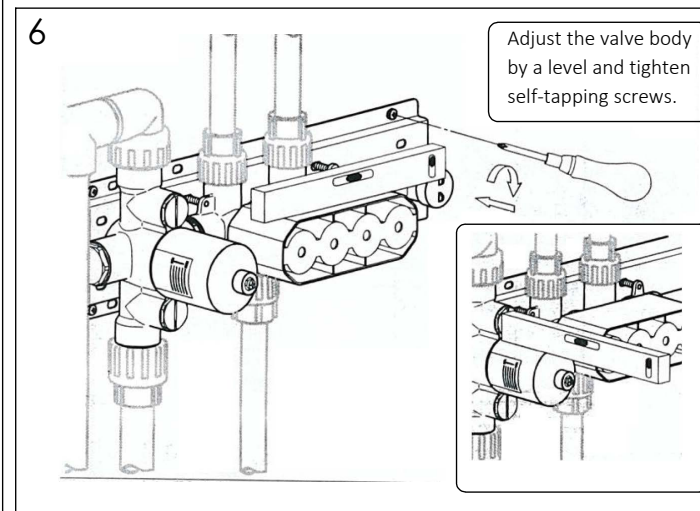
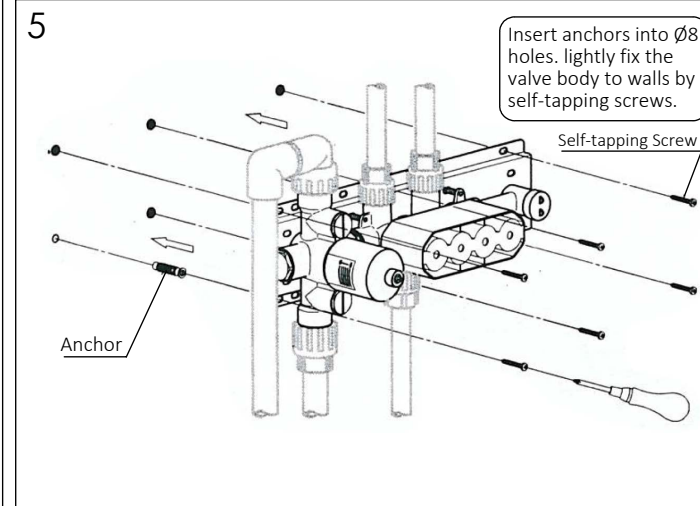
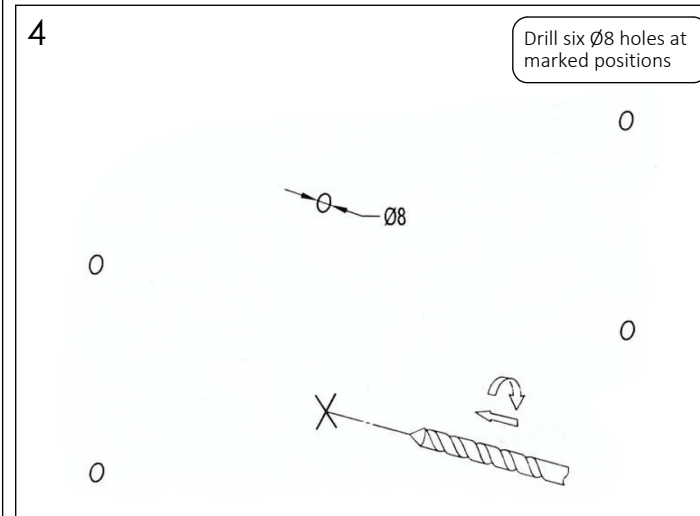
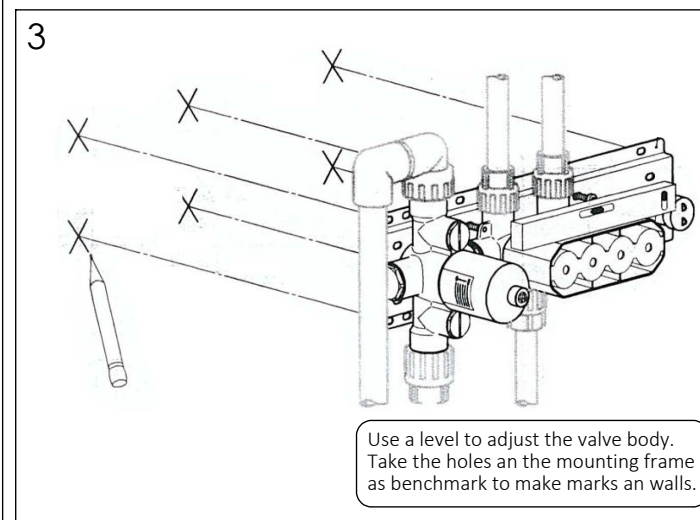
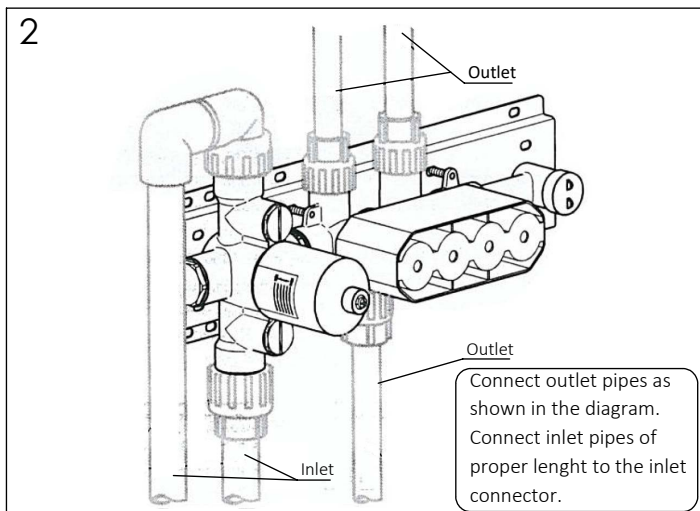
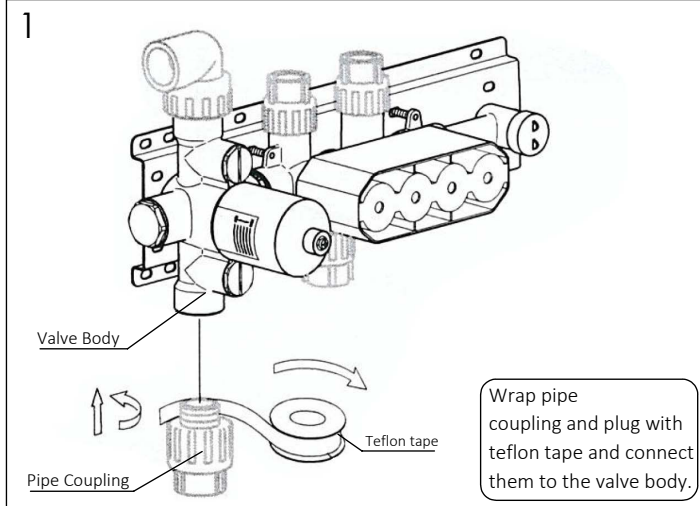


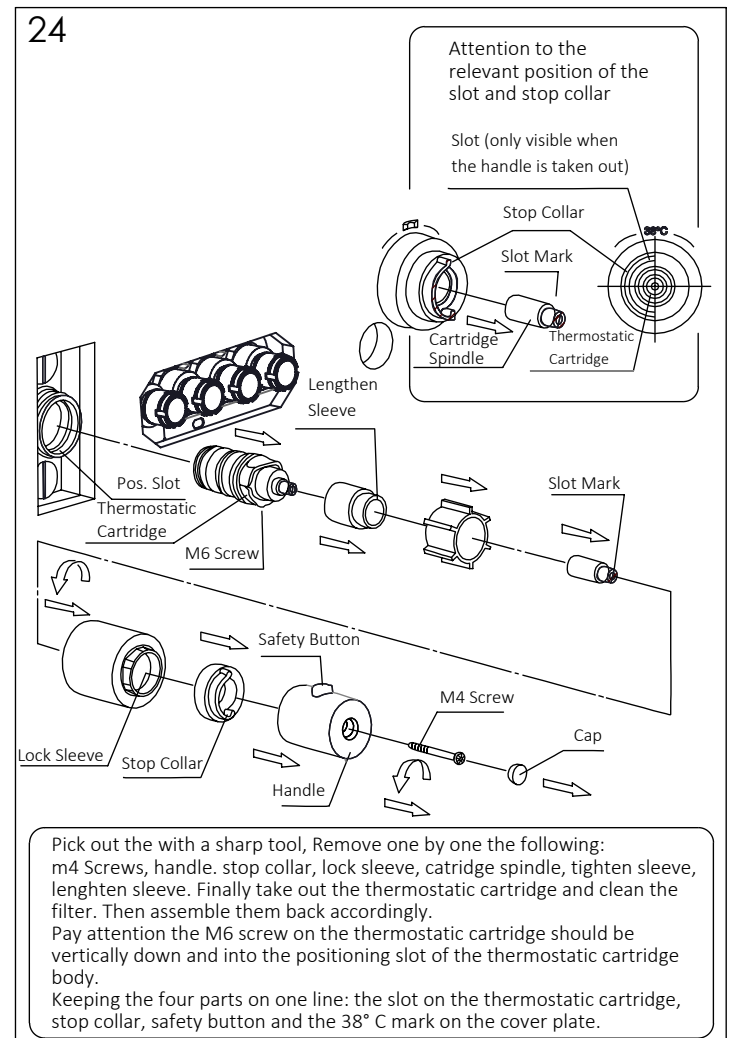
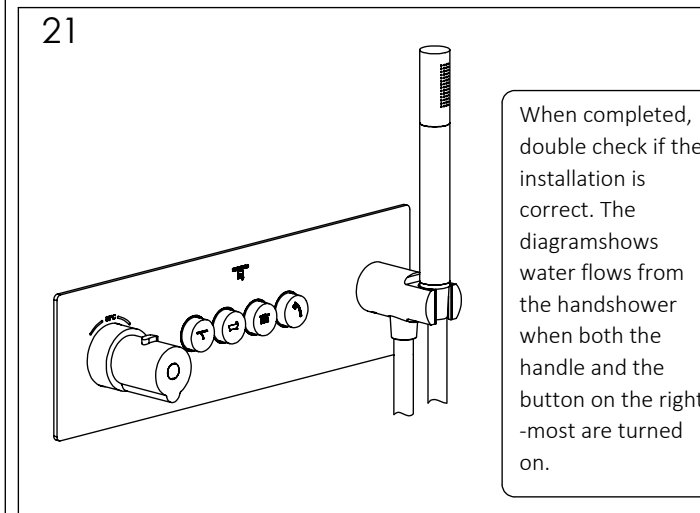
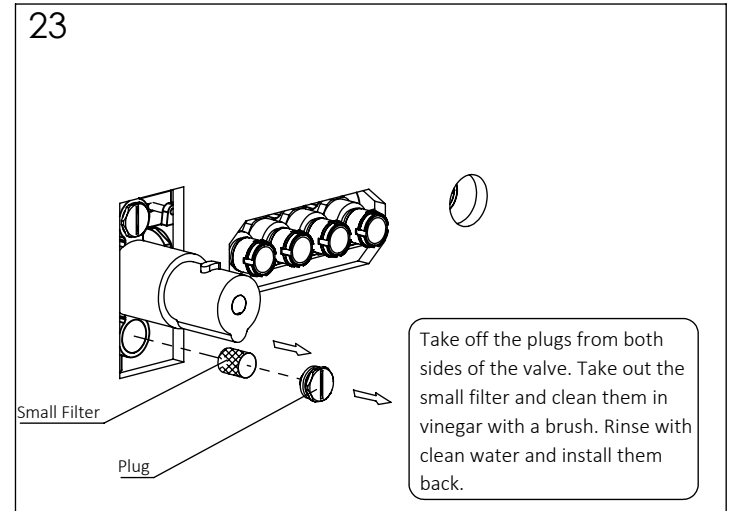
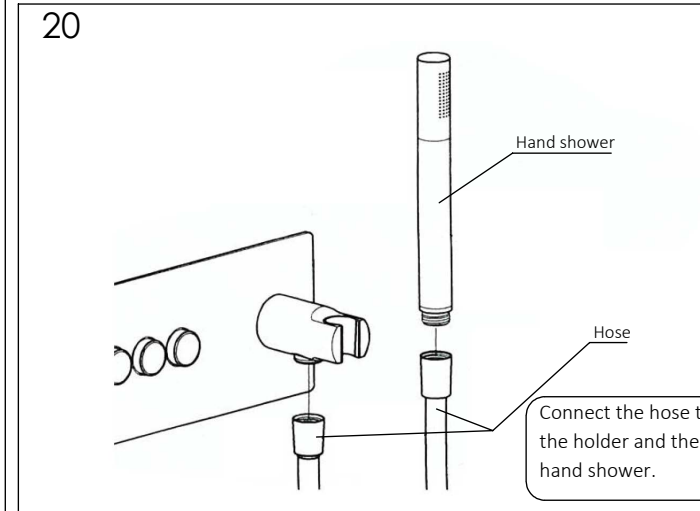
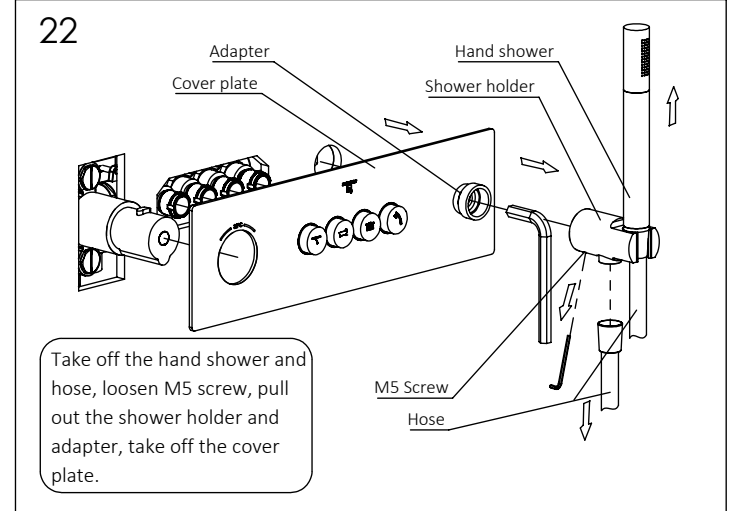
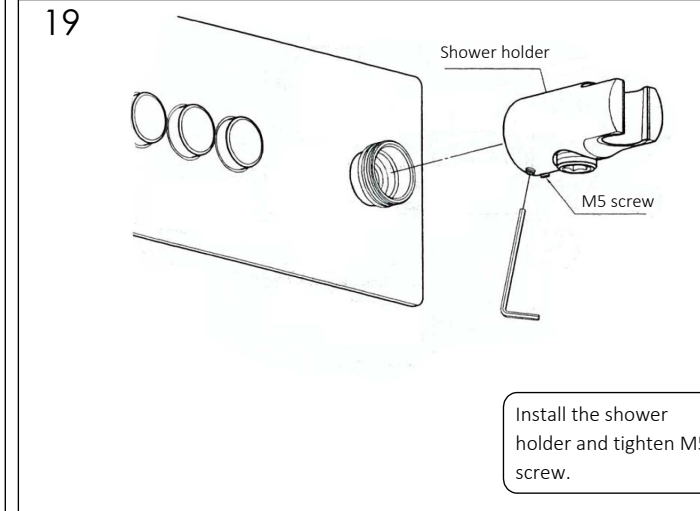
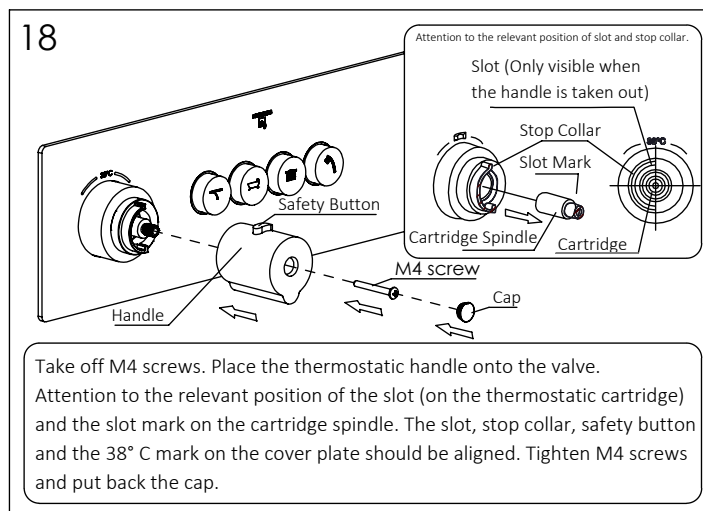
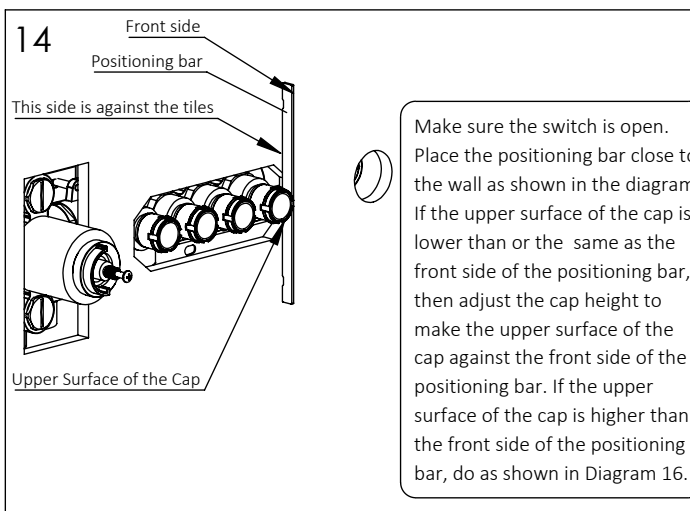
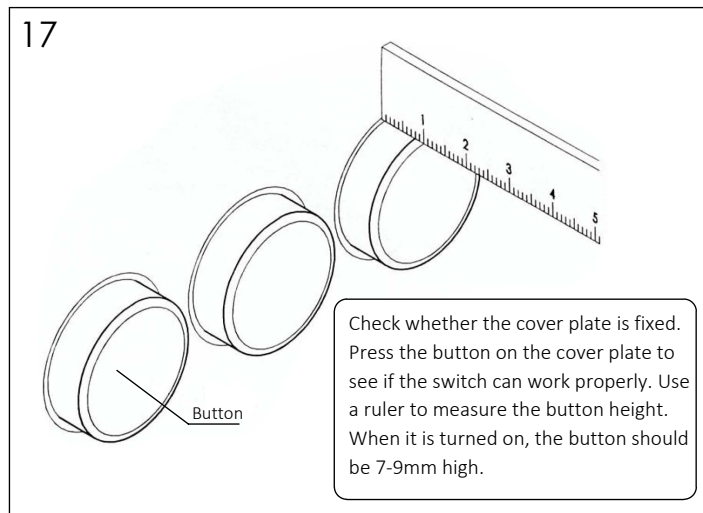
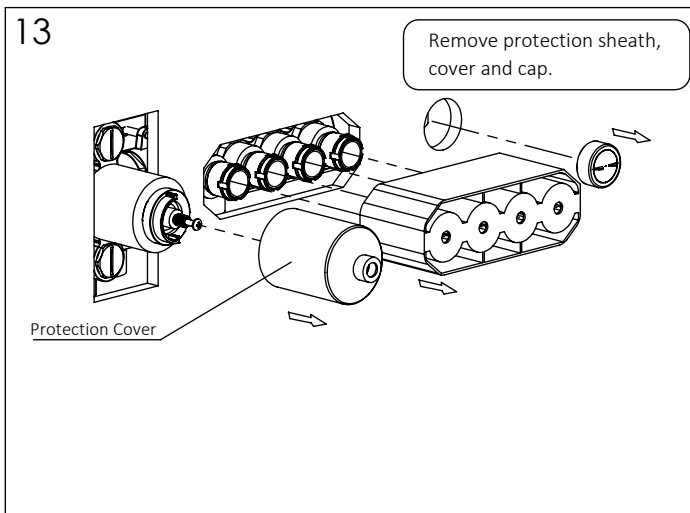
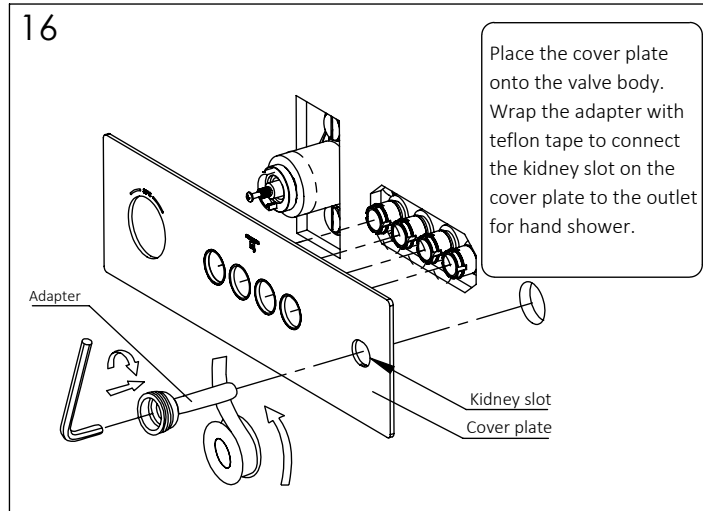
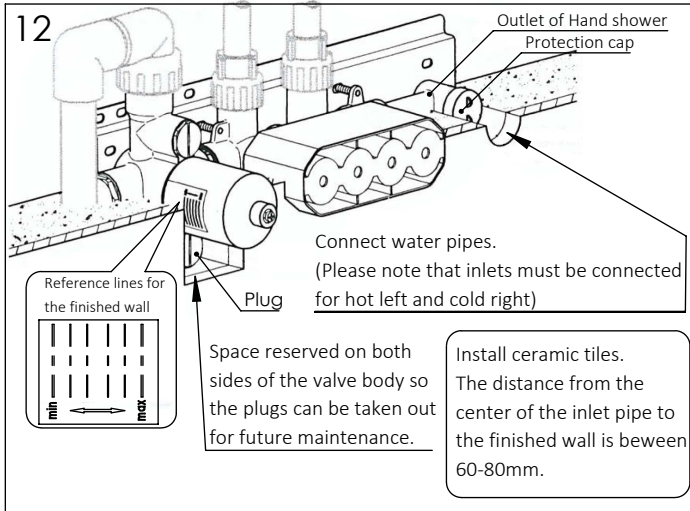
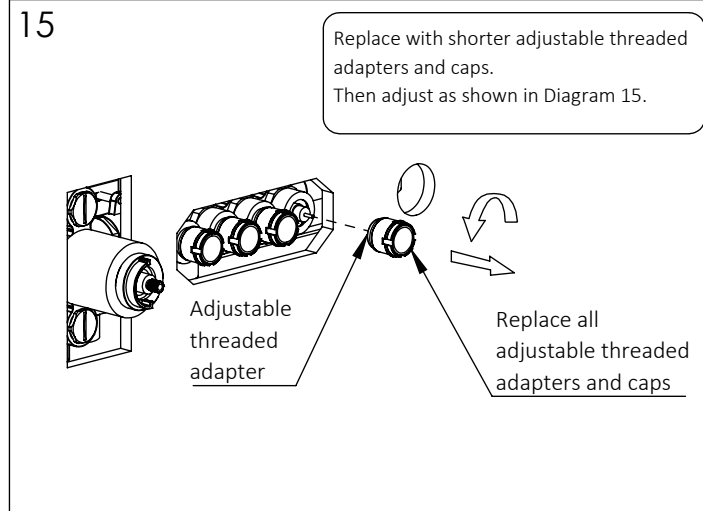
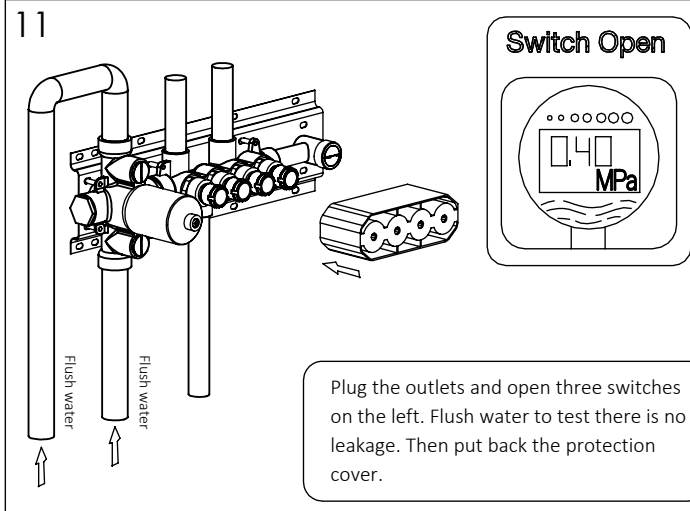
### II. Installation Notice

- Please lay water pipes in accordance with this manual.
- Floor drain should be installed on the site.
- Make sure to connect the feeds for handset, rain shower, bath tub and waterfall to separate mixer outlets.
- Mixers should be installed only after the completion of house interior decoration in case paint or other chemicals erode the mixer surface.
- Clean pipes to get rid of mud, sand or other debris blocked in pipes before installation.
- Check whether the threads can be matched. Otherwise, install forcefull will damage the components.
- After installation, check all the joints to make sure they are firmly connected. Then keep water flow. Turn on and off repeatedly to ensure no leaking problem. After that, the product is ready for normal use.
- Hand the manual to users.

### II. Operation Notice

- The product is used under cold water temperature 4-29°C, hot water temperature 55-85°C and water pressure 0.05-1.0 MPa. To avoid large pressure difference between hot and cold water, the thermostatic cartridge is preferably in use under the condition of water pressure 0.3 MPa, cold water 15°C, hot water 65°C. Main valve should be equipped with a fitter.
- Do not hang heavy things on the mixer.
- Remember to turn off the mixer when no water comes out of it (especially when nobody in the house or during the decoration period or power off).
- Clean the surface of mixer regularly to keep it bright. Note: Please do not use inappropriate tools such as sharp brushes, rough sponges, scouring pads or corrosive detergent. And it is not recommended to use the detergent sold in the market, because its formula changes frequently. Please clean the mixer with wet cloth and soapy water after some time of usage. Then rinse the soap off with clean water and dry with a soft cotton cloth.
- When indoor temperature drops below 0°C, take necessary measures (keep mixer warm, close windows) to prevent the mixer from frost cracking (especially when windows are kept open for ventilation while nobody in the house).
- Run cold water first and then run hot water, adjust the temperature before in use. Do not touch the hot water area of the mixer to avoid injury.
- Do not disassemble the product without help from the professionals.





## V. Maintenance

If the flow rate is lessened or temperature control is imprecise after a period of usage, it is possibly because water of poor quality blocks the small filters on both sides of the valve body or the filter on the thermostatic cartridge. Cleaning method should be taken as followed: First, turn off the main inlet valve. Take out the small filters as shown in the Diagram 22-23. Then clean the small filters with vinegar and clean water using a brush. Assemble them back after cleaning. Double check the flow volume and temperature control. If they are still not right, clean the filter of thermostatic cartridge as shown in the Diagram 25. Take out the thermostatic cartridge and clean the filter as before. Then assemble them back accordingly.