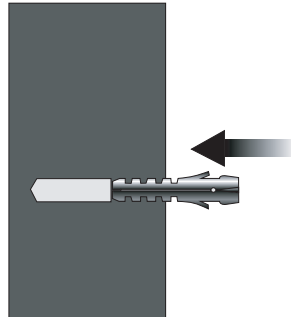


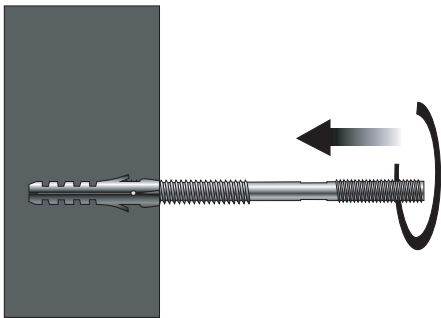
Note: These fixings are suitable for solid walls only. Plasterboard or stud walls may require specialist fixings (not supplied). Caution: care should be taken when drilling walls and floors to avoid any sunken wires or pipes



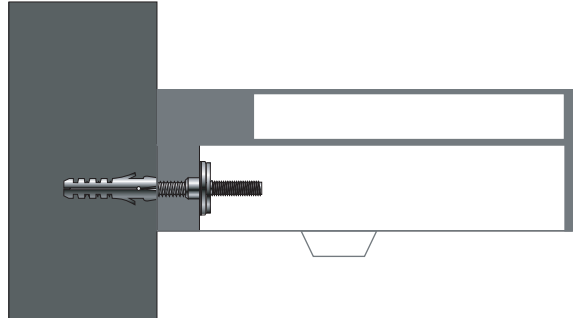
1. Drill two holes in the required position on the wall using a 14mm masonry drill bit, to a depth of 75mm



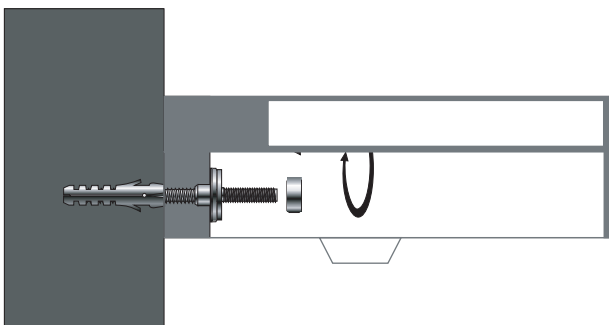
2. Push a wall plug into each hole



3. Screw a fixing bolt into each fixing plug using a 8 mm spanner until the spanner contacts the wall



4. Place the basin in position against the wall, locating the fixing bolts through the holes in the rear of the basin. Push a plastic washer, followed by a metal washer, onto each fixing bolt



5. Screw a metal nut onto each fixing bolt to secure the basin. Caution: Do not over-tighten, as this may damage the materials.

