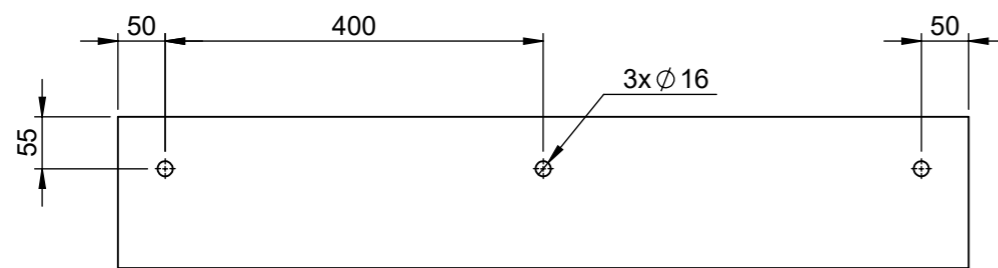
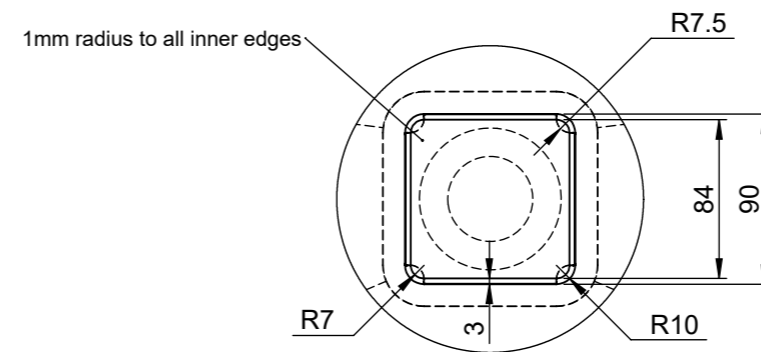


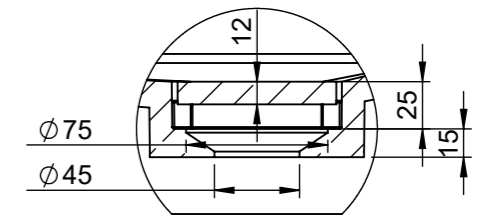
DRAIN COVER



REAR VIEW



**DETAIL AH
SCALE 1 : 4**



**DETAIL AI
SCALE 1 : 4**